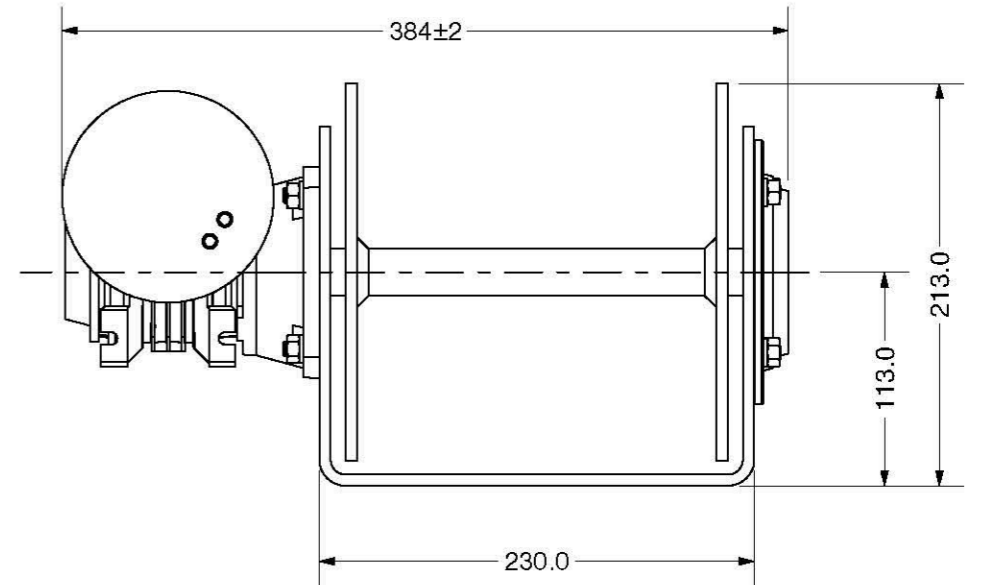
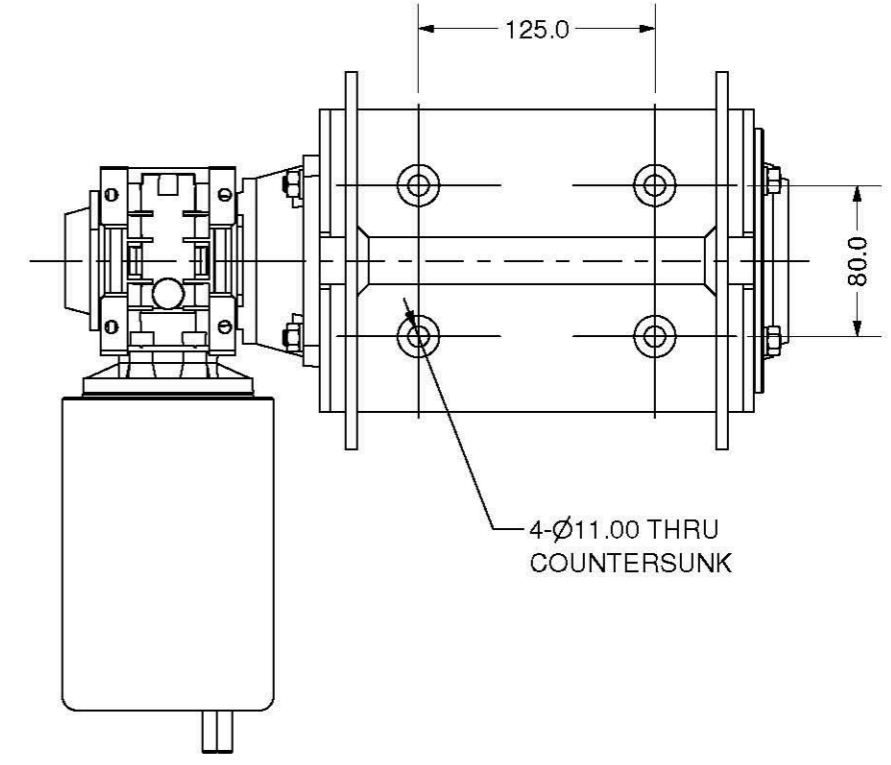
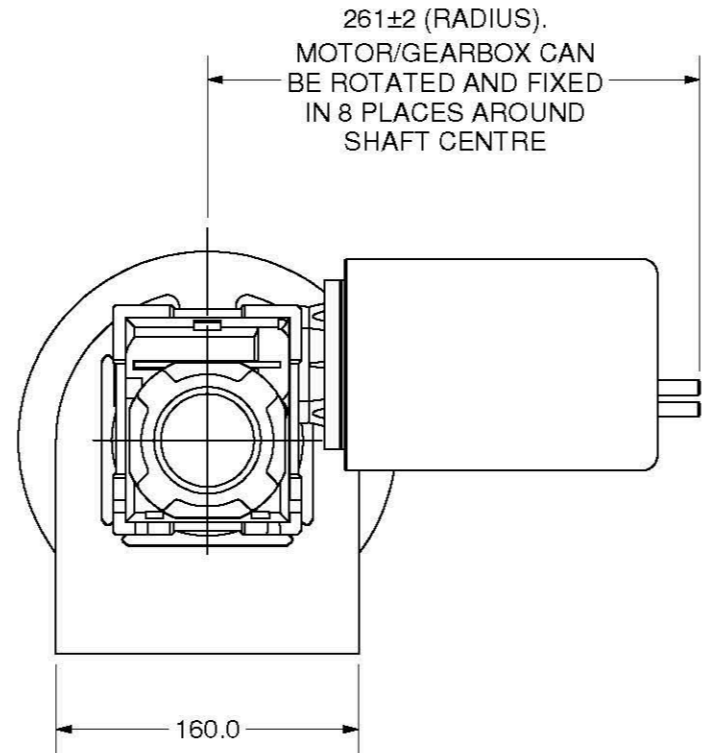
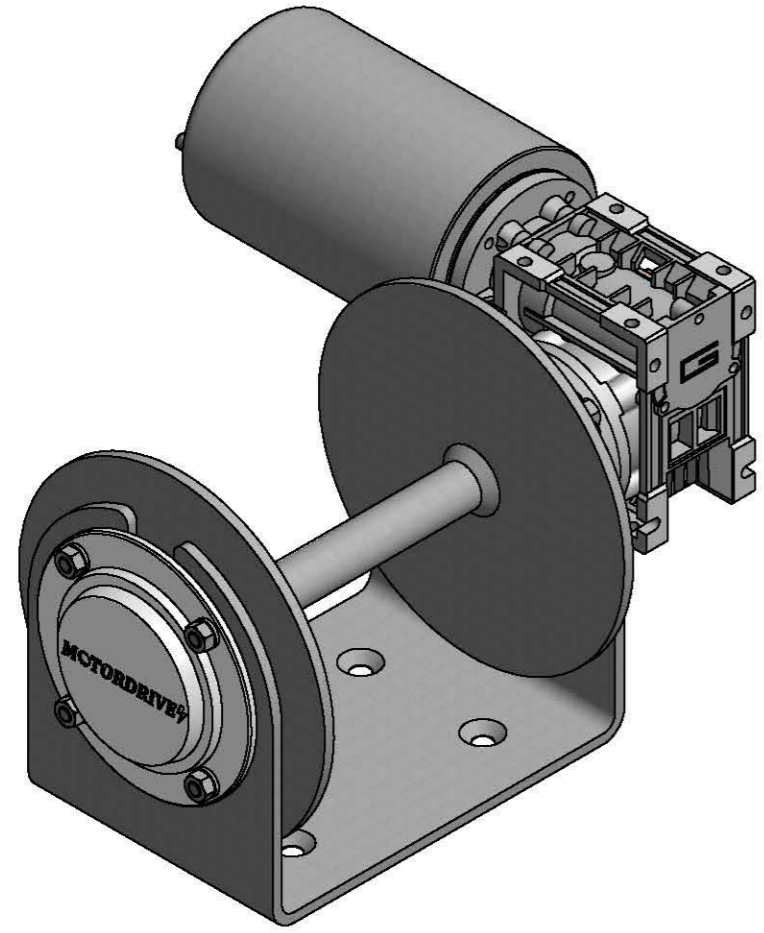
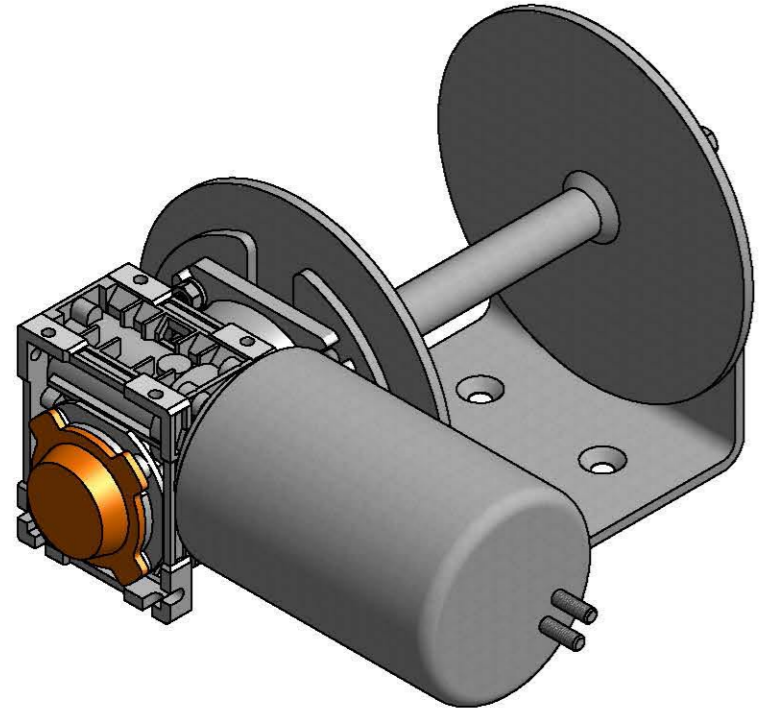


1 2 3 4 5 6 7 8 9 10 11 12

H  
G  
F  
E  
D  
C  
B  
A



H  
G  
F  
E  
D  
C  
B  
A

MM & DEGREES U.N.O.	
TOLERANCES U.N.O.	ANGULAR
LINEAR	X ± 1°
X ± 5	X.X ± 0.5
X.XX ± 0.05	X.X ± 0.5°
<b>DO NOT MEASURE OFF THIS DRAWING. IF IN DOUBT ASK!</b>	
	3RD ANGLE PROJECTION



**MOTORDRIVES**  
AUSTRALIA PTY LTD  
11 WALLACE AVENUE, POINT COOK 3080  
PH 089969 9774 FAX 089969 9775  
[www.motordrives.com.au](http://www.motordrives.com.au)  
[sales@motordrives.com.au](mailto:sales@motordrives.com.au)

DRAWING TITLE  
**TUFF WINCH MODEL 200 ANCHOR WINCH (P/N TW200)**

DRAWING NUMBER  
**90002-00001\_GA**

SHEET  
**1 OF 1**

TOTAL MASS (kg)	SHT SIZE	ISSUE
21.491 kg	A3	2

1 2 3 4 5 6 7 8 9 10 11 12