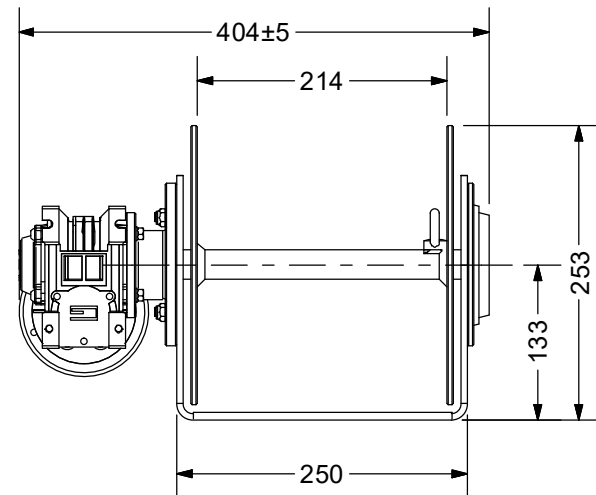
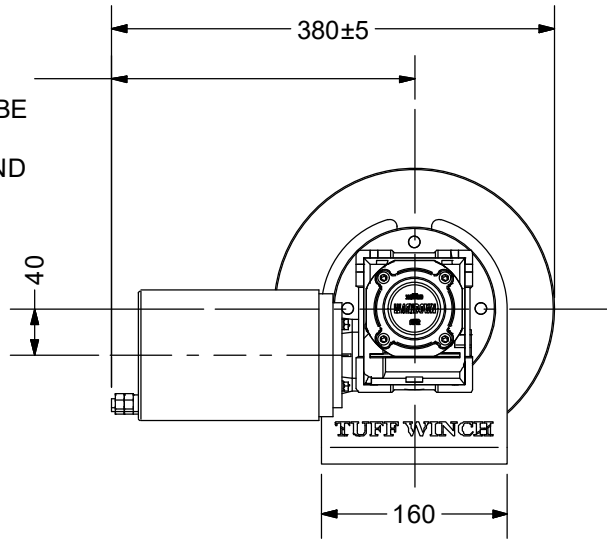


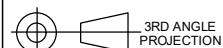
260±2. GEARBOX AND MOTOR CAN BE ROTATED IN 16 POSITIONS AROUND WINCH SHAFT CENTRELINE



MM & DEGREES U.N.O.

TOLERANCES U.N.O.  
 LINEAR X ± 1  
 ANGULAR X ± 1'  
 X.X ± 0.5 X ± 1'  
 X.XX ± 0.05 X.X ± 0.5'

**DO NOT MEASURE OFF THIS DRAWING. IF IN DOUBT ASK**



MOTORDRIVES AUSTRALIA  
 44 North View Drive  
 Sunshine West 3020  
 PH 03-9312 4722  
 MOB 0438-060 997  
 EMAIL [darren@motordrives.com.au](mailto:darren@motordrives.com.au)  
 WEB [www.tuffwinch.com](http://www.tuffwinch.com)

TITLE  
 TW240 ANCHOR WINCH ASSY.

DRAWING NUMBER  
 TW240

CLIENT  
 TUFFWINCH.COM

DRAWING STATUS  
 APPD. FOR MANUFACTURE

DRAWN  
 BH

MASS (kg)

SHEET  
 1 OF 1

SHEET SIZE  
 A4

REVISION #  
 1