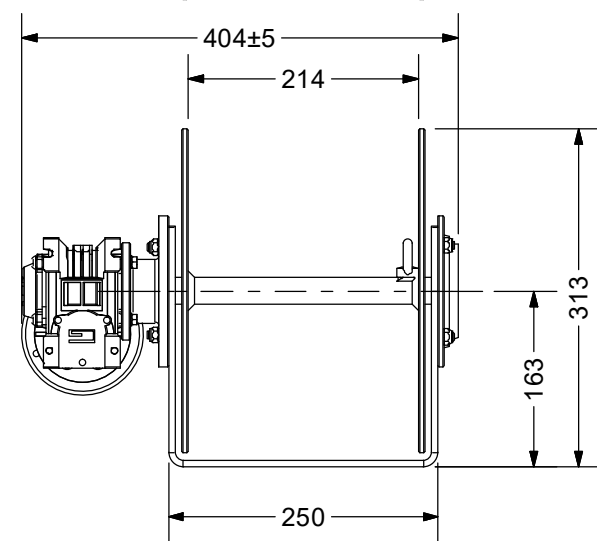
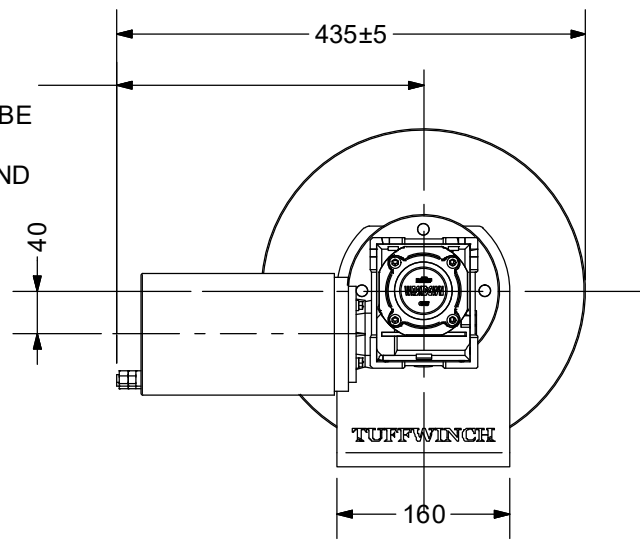
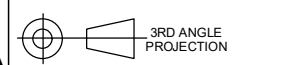


285±2. GEARBOX AND MOTOR CAN BE ROTATED IN 16 POSITIONS AROUND WINCH SHAFT CENTRELINE



MM & DEGREES U.N.O.  
 TOLERANCES U.N.O.  
 LINEAR ANGULAR  
 X ± 1  
 X.X ± 0.5 X ± 1'  
 X.XX ± 0.05 X.X ± 0.5'

**DO NOT MEASURE OFF THIS DRAWING. IF IN DOUBT ASK**



MOTORDRIVES AUSTRALIA  
 44 North View Drive  
 Sunshine West 3020  
 PH 03-9312 4722  
 MOB 0438-060 997  
 EMAIL [darren@motordrives.com.au](mailto:darren@motordrives.com.au)  
 WEB [www.tuffwinch.com](http://www.tuffwinch.com)

TITLE  
**TW240HC ANCHOR WINCH ASSY.**

DRAWING NUMBER  
**TW240HC**

CLIENT  
**TUFFWINCH.COM**

DRAWING STATUS  
**APPD. FOR MANUFACTURE**

DRAWN  
**BH**

MASS (kg)

SHEET  
**1 OF 1**

SHEET SIZE  
**A4**

REVISION #  
**1**