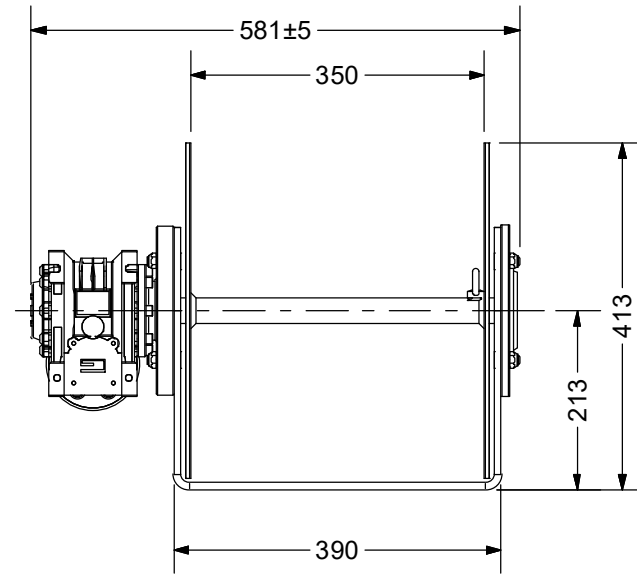
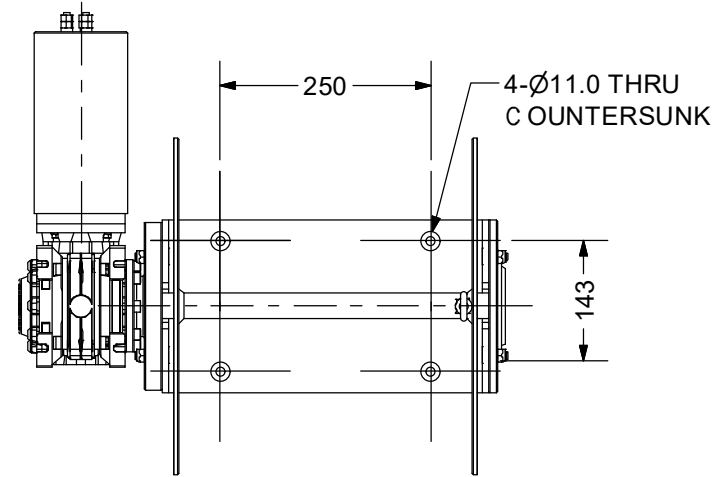
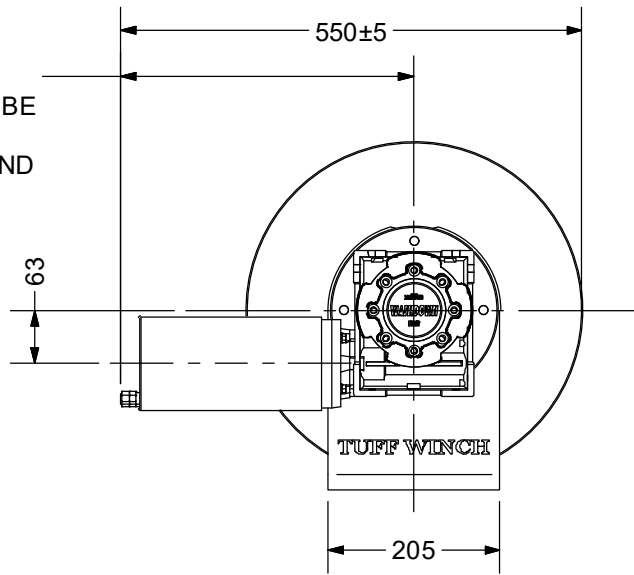


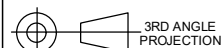
350±2. GEARBOX
AND MOTOR CAN BE
ROTATED IN 16
POSITIONS AROUND
WINCH SHAFT
CENTRELINE



MM & DEGREES U.N.O.

TOLERANCES U.N.O.
LINEAR ANGULAR
 X ± 1
 X.X ± 0.5 X ± 1'
 X.XX ± 0.05 X.X ± 0.5'

**DO NOT MEASURE
OFF THIS DRAWING.
IF IN DOUBT ASK**



MOTORDRIVES AUSTRALIA
 44 North View Drive
 Sunshine West 3020
 PH 03-9312 4722
 MOB 0438-060 997
 EMAIL darren@motordrives.com.au
 WEB www.tuffwinch.com

TITLE
TW400 ANCHOR WINCH ASSY.

DRAWING NUMBER
TW400

CLIENT
TUFFWINCH.COM

DRAWING STATUS
**APPD. FOR
 MANUFACTURE**

DRAWN
BH

MASS (kg)

SHEET
1 OF 1

SHEET SIZE
A4

REVISION #
1